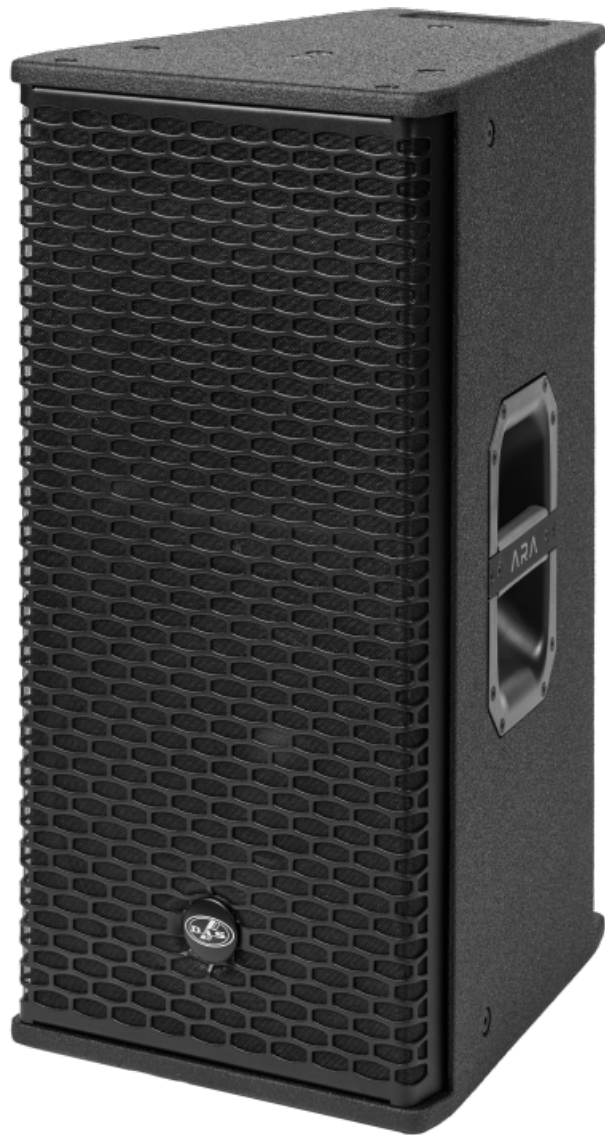


# ARA

S E R I E S



## ARA-P12.74

DAS Audio Group, S.L. - C/ Islas Baleares 24 - 46988  
Fuente del Jarro - Valencia - Spain - Tel. +34961340860  
Updated (DD/MM/YYYY): 08/06/2026

 **DAS AUDIO**

## KEY FEATURES

- Self-powered point source system.
- 2-channel Class D amplifier, 1200Wrms.
- 96kHz FIR processing.
- Control, monitoring, and EQ via IP through ALMA™.
- 1 x 12" (12GX3N4C) + Compression driver, 3" VCD (M78N)
- Latest generation transducers with Neodymium.
- 70° x 40° (H x V) dispersion, rotatable horn

## DESCRIPTION

The ARA-P12.74 is a point source system that combines technical innovation with acoustic precision. This model is equipped with a single 12", delivering a broad frequency range from 63 Hz to 17 kHz. Its rotatable horn provides a horizontal coverage of 70° and vertical coverage of 40°, ensuring the ARA-P12.74 offers uniform sound dispersion, perfectly suited for medium to long throw applications in various settings.

Powered by a robust class D amplifier with universal mains switching power supply, the ARA-P12.74 provides a continuous power rating of 1200 W, with peak capabilities reaching 2400 W (1600 W for low frequencies and 800 W for high frequencies). The system achieves a maximum linear SPL of 134 dB and a peak SPL of 140 dB, ensuring its powerful performance in any environment.

The advanced electronics of the ARA-P12.74 include a 96kHz sampling rate complemented by an intuitive ALMA control interface for precise sound management. Each unit features a unique processing input channel operating at 96kHz with 10 EQ points and a total delay of 823ms, equivalent to 283 meters, enhancing its adaptability in system setup. The power module's DSP platform is equipped with specially designed Finite Impulse Response filters (FIR) for acoustically flat magnitude and phase response, facilitating a coherent combination with other units of the ARA series, such as the LARA / SARA line arrays.

At the core of the ARA-P12.74 are our custom-engineered 12G3XN4C transducers, specifically designed for this model, featuring a neodymium magnet and a 3-inch Voice Coil Diameter (VCD) for high efficiency, extensive displacement capabilities, and minimal distortion. Complementing the transducers is the M78N compression driver, identical to those utilized in the ARA series line arrays, known for its ability to produce crisp, clear high frequencies. This combination of the 12G3XN4C transducer and the M78N compression driver ensures that the ARA-P12.74 delivers an audio experience that is both powerfully resonant and richly detailed, setting a new benchmark in point source system sound clarity and quality.

Designed with versatility in mind, the ARA-P12.74 is equipped with M10 rigging points, accommodating a wide array of accessories. This adaptability renders it an ideal fit for a variety of venues, configurations and uses.

# ARA-P12.74

---

## SPECIFICATIONS

### Performance

Frequency Range (-10 dB)	63Hz - 18 kHz
Horizontal Coverage (-6 dB)	70°
Vertical Coverage	40°
Maximum Linear SPL <sup>1</sup>	134 dB
Maximum SPL <sup>2</sup>	140 dB

1. Measured Maximum Linear SPL at 1m according to AES75 standard using 18dB crest factor M-Noise.

2. Measured Maximum SPL at 1m using burst noise.

# ARA-P12.74

DAS Audio Group, S.L. - C/ Islas Baleares 24 - 46988  
Fuente del Jarro - Valencia - Spain - Tel. +34961340860  
Updated (DD/MM/YYYY): 08/06/2026



## Electronics and Connectors

Nominal Amplifier Power (continuous)	1200 W
Nominal Amplifier Power LF (continuous)	800 W
Nominal Amplifier Power LF (peak)	1600 W
Nominal Amplifier Power HF (continuous)	400 W
Nominal Amplifier Power HF (peak)	800 W
Input Type	Balanced Analog
Input Impeadance	20 kohms
Input Sensitivity	6.2 V (+18 dBu)
Audio Signal Input Connector	1 x Female XLR
Audio Signal Loop Thru Connector	1 x Male XLR
Audio/Data Input Connector	etherCON
Control	ALMA
Audio + Data Loop Thru Connector	etherCON
AC Input Connector	powerCON TRUE1
AC Output Connector	powerCON TRUE1
Current Draw 230 V / 115 V	1.8 A/3.6 A
Sampling Rate	96kHz

# ARA-P12.74

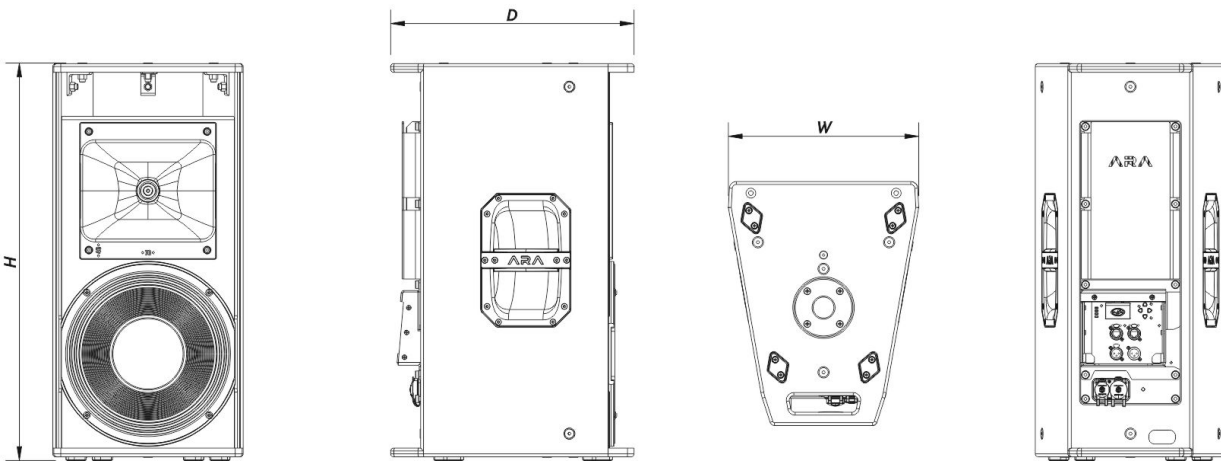
## Enclosure

Enclosure Construction	Birch Plywood
Enclosure Geometry	Trapezoidal 10°
Rigging	M10 Rigging Points
Finish	ISO-flex Paint
Color	Black
IP Rating	IP43
Dimensions ( H x W x D )	690 x 335 x 425 mm 27,0 x 13,0 x 16,8 in
Net Weight	24,5 kg ( 54,0 lb )

## Components

LF Driver	12GX3N4C
HF Driver	M-78N

## DIMENSIONS



# ARA-P12.74

DAS Audio Group, S.L. - C/ Islas Baleares 24 - 46988  
Fuente del Jarro - Valencia - Spain - Tel. +34961340860  
Updated (DD/MM/YYYY): 08/06/2026



## ORDERING INFORMATION

Model	Description	P/N
<b>System</b>		
ARA-P12.74		10420503
<b>Replacement Parts</b>		
12GX3N4C	Cone Transducer	20209080
GM-12GX3N4C	Recone Kit	20209090
GM-M75N	Diaphragm	20205080
KIT-DSP-ARA-P12.74	Replacement Dsp	20701120
M-78N	Compression Driver	20208860
MP-ARA-P12.74	Power Module	30011458
<b>Accessories</b>		
ANL-2	Rigging Accessories	10101020
AX-SPG1	Installation & Stacking Acc.	10105050
AX-SPG2	Installation & Stacking Acc.	10105060
AXC-AT	Installation & Stacking Acc.	10104310
AXC-ATSPG	Installation & Stacking Acc.	10105150
AXC-ZT	Installation & Stacking Acc.	10104320
AXC-ZT3	Installation & Stacking Acc.	10104327
AXF-X10	Installation & Stacking Acc.	10104833
AXR-AR5	Installation & Stacking Acc.	10104870
AXU-AP12	Installation & Stacking Acc.	10105000
EC-09	Electronic Accessories	20502110

# ARA-P12.74

DAS Audio Group, S.L. - C/ Islas Baleares 24 - 46988  
Fuente del Jarro - Valencia - Spain - Tel. +34961340860  
Updated (DD/MM/YYYY): 08/06/2026



EC-20	Electronic Accessories	20502130
ECPK-2	Electronic Accessories	20502091
ECPK-20	Electronic Accessories	20502180
ECPK-3	Electronic Accessories	10116150
ECPK-5	Electronic Accessories	20502100
FC-ARAP12	Transport Accessories	10116120
FUN-ARA-P12-MK2	Transport Accessories	10103840
JP-API228	Rigging Accessories	10102964
MATRIX-22	Ara Series	11106140
PLINK1-09	Electronic Accessories	20502150
PP-4	Ara Series	11106150
TRD-2-PACK	Installation & Stacking Acc.	10104012
TRD-6	Installation & Stacking Acc.	10104470
TRD-7	Installation & Stacking Acc.	10104471

# ARA-P12.74

DAS Audio Group, S.L. - C/ Islas Baleares 24 - 46988  
Fuente del Jarro - Valencia - Spain - Tel. +34961340860  
Updated (DD/MM/YYYY): 08/06/2026

