

*Altea*⁴⁰⁰



ALTEA-412A

DAS Audio Group, S.L. - C/ Islas Baleares 24 - 46988
Fuente del Jarro - Valencia - Spain - Tel. +34961340860
Updated (DD/MM/YYYY): 30/03/2026

 **DAS AUDIO**

KEY FEATURES

- Lightweight multi-purpose system with monitor position
- Ultra lightweight Class D amplifier with SMPS
- User definable 24-bit DSP with LCD screen
- Presets: Live, Dance, Vocals, Bass Boost, Vocals & Mode
- Stackable 3-band EQ
- Standby Mode
- Rigging points

DESCRIPTION

The ALTEA-412A is a powered portable P.A. system with a multi-angle polypropylene enclosure that allows for use as a stage monitor.

On board is Class D two channel amplifier of exceptional quality providing a total of 800 W_{peak} power which provides extended bandwidth, wide dynamic range and exceptionally low distortion-features hard to find on other systems in this market segment. User configurable voicing, filter and EQ modes, and gain control are achieved by way of a rotary-knob interface and LCD screen on the rear of the cabinet.

The 12MI4 loudspeaker provides accurate low frequency reproduction with a deep, powerful bass. High frequencies are handled by the M-32 FEM optimized compression driver with 1" exit offering excellent performance.

ALTEA-412A

SPECIFICATIONS

Performance

Frequency Range (-10 dB)	60 Hz - 20 kHz
Horizontal Coverage (-6 dB)	90°
Vertical Coverage	60°
Maximum Peak SPL at 1 m	126 dB

Electronics and Connectors

Nominal Amplifier Power (continuous)	400 W
Nominal Amplifier Power (peak)	800 W
Input Type	Balanced
Input Impedance	20 kohms
Input Sensitivity	1.95 V (+8 dBu)
Audio Signal Input Connector	2 x Female XLR
AUX Input	1 x 3.5 mm Mini Jack
Audio Signal Loop Thru Connector	1 x Male XLR
Control	DAScontrol™
AC Input Connector	IEC
Current Draw 230 V / 115 V	1.0 A/2.0 A

ALTEA-412A

Enclosure

Enclosure Construction	Polypropylene
Enclosure Geometry	Trapezoidal
Rigging	M8 Rigging Points
Color	Black
Dimensions (H x W x D)	655 x 380 x 350 mm 25,8 x 15,0 x 13,8 in
Net Weight	15,5 kg (34,2 lb)

Components

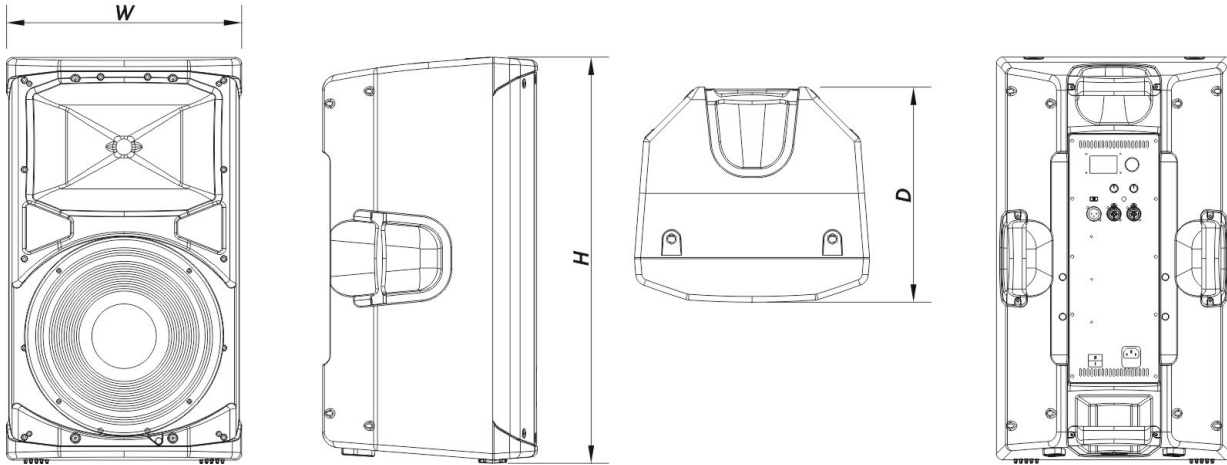
LF Driver	12M14
HF Driver	M-32

Shipping

Carton Dimensions (H x W x D)	740 x 450 x 415 mm 29,1 x 17,7 x 16,3 in
Shipping Weight	18,5 kg (40,8 lb)

DIMENSIONS

ALTEA-412A



ALTEA-412A

DAS Audio Group, S.L. - C/ Islas Baleares 24 - 46988
Fuente del Jarro - Valencia - Spain - Tel. +34961340860
Updated (DD/MM/YYYY): 30/03/2026



ORDERING INFORMATION

Model	Description	P/N
System		
ALTEA-412A		10404915
Replacement Parts		
12MI4	Cone Transducer	10214320
DSP-ALTEA-412A	Dsp	20406579
GM-12MI4	Recone Kit	20208300
M-32	Compression Driver	20208970
MP-ALT412A		20406720
OR300+100UM	Amplifier	20406670
Accessories		
ANL-1	Rigging Accessories	10101010
ANL-1	Installation & Stacking Acc.	10101010
AXF-X12	Installation & Stacking Acc.	10104831
AXW-ALT	Installation & Stacking Acc.	10102391
FUN-AL712	Transport Accessories	10103780
TRD-2-PACK	Installation & Stacking Acc.	10104012
TRD-6	Installation & Stacking Acc.	10104470
TRD-7	Installation & Stacking Acc.	10104471

ALTEA-412A

DAS Audio Group, S.L. - C/ Islas Baleares 24 - 46988
Fuente del Jarro - Valencia - Spain - Tel. +34961340860
Updated (DD/MM/YYYY): 30/03/2026

