

ACTION **500** *series*



ACTION-S18

DAS Audio Group, S.L. - C/ Islas Baleares 24 - 46988
Fuente del Jarro - Valencia - Spain - Tel. +34961340860
Updated (DD/MM/YYYY): 07/04/2026

 **DAS AUDIO**

KEY FEATURES

- Passive subwoofer system
- Birch plywood enclosure
- Durable ISO-flex paint
- Recommended processor: DSP-226
- Recommended amplifier: PA series

DESCRIPTION

ACTION-S18 is a passive direct radiation subwoofer system composed of a single 18FW speaker with a 3" coil and 20 mm winding depth, double layer and sandwich to boost system power, as well as a new forced convection circuit that works to reduce the effects of coil heating, improving the system's overall performance as a result.

As part of our company culture, all our systems are developed under a single philosophy: to deliver the highest possible quality in terms of both materials and overall system design. In the ACTION-500 series we use the same birch plywood as our touring systems for a tight, natural warm sound found nowhere else on the market.

For long-term optimal performance of the ACTION-500 passive versions, the system can only be a complete sound system when rounded out with our amplifiers and processors with stored presets and limiters.

ACTION-S18

SPECIFICATIONS

Performance

Frequency Range (-10 dB)	33 Hz – 160 Hz
Nominal Impedance	8 ohms
RMS Power Handling	600 W
Peak Power Handling	2400 W
On-axis Sensitivity 1W/1 m	96 dB SPL
Maximum Peak SPL at 1 m	133 dB

Connectors

Audio Input Connector	1 x speakON NL4
Audio Output Connector	1 x speakON NL4

Enclosure

Enclosure Construction	Birch Plywood
Enclosure Geometry	Rectangular
Finish	ISO-flex Paint
Color	Black
Dimensions (H x W x D)	720 x 545 x 660 mm 28,3 x 21,5 x 26,0 in
Net Weight	40,5 kg (89,1 lb)

Components

LF Driver	18FW
-----------	------

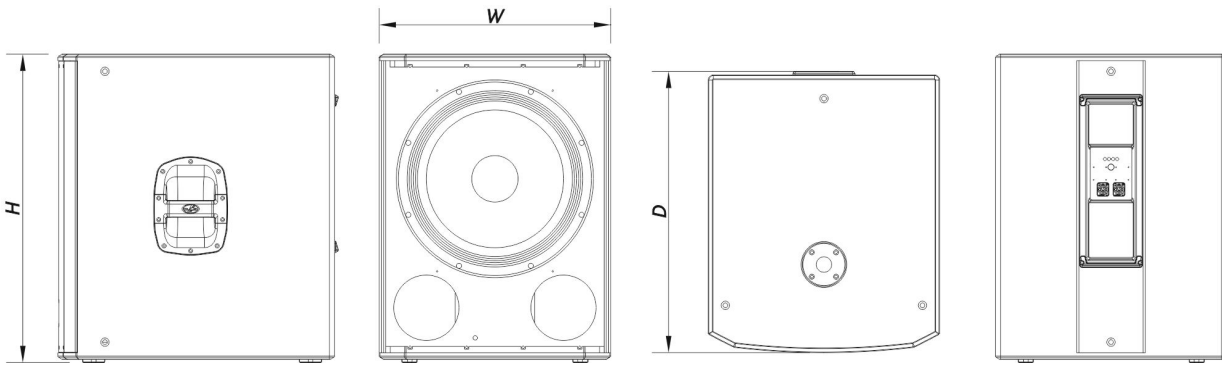
ACTION-S18

Shipping

Carton Dimensions (H x W x D) 795 x 595 x 690 mm
31,3 x 23,4 x 27,2 in

Shipping Weight 42,7 kg (93,9 lb)

DIMENSIONS



ACTION-S18

DAS Audio Group, S.L. - C/ Islas Baleares 24 - 46988
Fuente del Jarro - Valencia - Spain - Tel. +34961340860
Updated (DD/MM/YYYY): 07/04/2026

 **DAS AUDIO**

ORDERING INFORMATION

Model	Description	P/N
System		
ACTION-S18		10427255
Replacement Parts		
18FW	Transducer	20208981
GM-18FW	Recone Kit	20208531
Accessories		
ANL-2	Rigging Accessories	10101020
FUN-VT18	Transport Accessories	10103740
SPK4-1	Electronic Accessories	20502000
SPK4-10	Electronic Accessories	20502001
TRD-6	Installation & Stacking Acc.	10104470
TRD-7	Installation & Stacking Acc.	10104471

ACTION-S18

DAS Audio Group, S.L. - C/ Islas Baleares 24 - 46988
Fuente del Jarro - Valencia - Spain - Tel. +34961340860
Updated (DD/MM/YYYY): 07/04/2026

