

# MIA SERIES



## MIA-X5

---

DAS Audio Group, S.L. - C/ Islas Baleares 24 - 46988  
Fuente del Jarro - Valencia - Spain - Tel. +34961340860  
Updated (DD/MM/YYYY): 11/06/2026

 **DAS AUDIO**

## KEY FEATURES

- 2-way passive 5" coaxial point source system
- Uniform 120° conical coverage
- Frequency range (-10 dB) from 80 Hz to 20 kHz
- Maximum SPL of 120 dB
- Nominal impedance of 16  $\Omega$
- Dedicated FIR processing with INTEGRAL-MA

## DESCRIPTION

MIA-X5 is a 2-way passive coaxial point source system designed to deliver accurate and consistent sound performance in applications requiring a compact, discreet, and high-quality solution. It features a 5" coaxial transducer that ensures excellent phase coherence and a balanced response across the audible spectrum, with a frequency range of 80 Hz to 20 kHz and a maximum sound pressure level of 120 dB SPL.

The coaxial configuration provides uniform 120° conical coverage, ensuring even sound dispersion and outstanding intelligibility regardless of the system orientation. This allows MIA-X5 to be integrated into projects that require a compact, discreet solution capable of maintaining consistent coverage.

The system is manufactured from high-quality birch plywood with a durable polyurea paint finish. Its multi-angle design allows for flexible mounting in a wide variety of installation configurations, while the black finish enables discreet aesthetic integration into professional installations.

The system is equipped with M5 fixing points on the rear panel, allowing the use of dedicated mounting accessories for wall and/or ceiling installation. These accessories enable precise adjustment of both horizontal and vertical aiming angles, ensuring optimal coverage in each project.

With a nominal impedance of 16  $\Omega$ , MIA-X5 allows up to 8 systems to be connected per amplifier channel, optimizing amplifier channel usage. In addition, dedicated FIR processing is available when used with INTEGRAL-MA matrix amplifiers, ensuring consistent system frequency response and optimized overall performance.

MIA-X5 is a compact, efficient, and versatile solution for professional installed sound applications.

# MIA-X5

---

## SPECIFICATIONS

### Performance

Frequency Range (-10 dB)	80 Hz – 20 kHz
Nominal Impedance	16 ohms
Conical Coverage	120°
RMS Power Handling	120 W
Peak Power Handling	480 W
On-axis Sensitivity 1W/1 m	90 dB SPL
Maximum Peak SPL at 1 m	120 dB
Recommended Amplifier	INTEGRAL-MA1002 INTEGRAL-MA2004
Recommended Processor	INTEGRAL-MA1004 INTEGRAL-MA2004

### Connectors

Audio Input Connector	4-way Phoenix 3.8 mm
-----------------------	----------------------

### Enclosure

Enclosure Construction	Birch Plywood
Enclosure Geometry	Trapezoidal
Rigging	M5 Thread Inserts
Finish	ISO-flex Paint
Color	Black
Dimensions ( H x W x D )	230 x 165 x 170 mm 9,0 x 6,5 x 6,7 in
Net Weight	4,5 kg ( 9,9 lb )

# MIA-X5

## Shipping

---

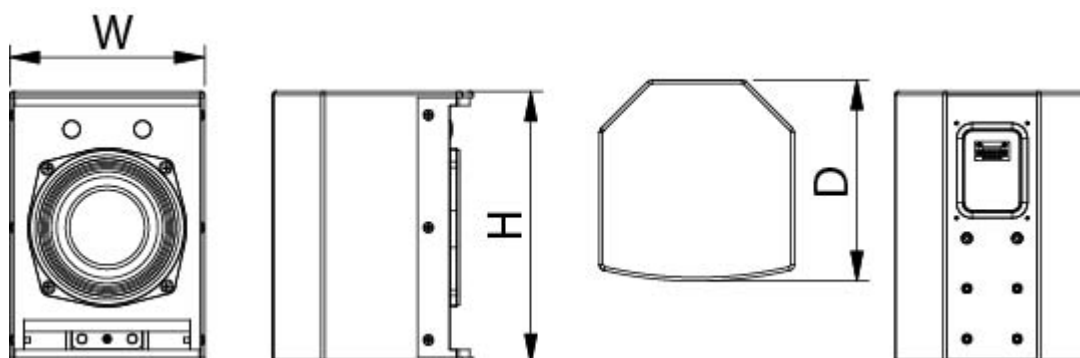
Carton Dimensions ( H x W x D ) 310 x 235 x 240 mm  
12,2 x 9,3 x 9,5 in

---

Shipping Weight 5,1 kg ( 11,3 lb )

---

## DIMENSIONS



# MIA-X5

---

DAS Audio Group, S.L. - C/ Islas Baleares 24 - 46988  
Fuente del Jarro - Valencia - Spain - Tel. +34961340860  
Updated (DD/MM/YYYY): 11/06/2026

 **DAS AUDIO**

**ORDERING  
INFORMATION**

<b>Model</b>	<b>Description</b>	<b>P/N</b>
<b>System</b>		
MIA-X5		15005733

# MIA-X5

DAS Audio Group, S.L. - C/ Islas Baleares 24 - 46988  
Fuente del Jarro - Valencia - Spain - Tel. +34961340860  
Updated (DD/MM/YYYY): 11/06/2026

