

VANTEC SERIES



VANTEC-12A

DAS Audio Group, S.L. - C/ Islas Baleares 24 - 46988
Fuente del Jarro - Valencia - Spain - Tel. +34961340860
Updated (DD/MM/YYYY): 14/04/2026

 **DAS AUDIO**

KEY FEATURES

- Compact multi-purpose system with monitor position
- Ultra lightweight Class D amplifier with SMPS
- User definable 24-bit DSP with LCD screen
- Presets: Live, Dance, Vocals, Bass Boost, Vocals & Mode
- Stackable 3-band EQ
- High-Definition wireless streaming of music in stereo
- Pole mount socket with dual angles 0°/10°
- Rigging points

DESCRIPTION

The VANTEC-12A is a powered portable system with a multi-angle enclosure that permits stage monitor applications as well as a compact P.A. system.

The 1500 W_{peak} power the Class D amplifier provides extended bandwidth, wide dynamic range and exceptionally low distortion-features hard to find on other systems in this market segment.

Digital Finite Impulse Response (FIR) filters are used in the signal processing of the powered Vantec systems. User configurable voicing, filter and EQ modes, and gain control are achieved by way of a rotary-knob interface and LCD screen on the rear of the cabinet. The Vantec series also allows users to wirelessly stream music from any mobile device

The 12F4 loudspeaker provides accurate low frequency reproduction. High frequencies are handled by the M-28 FEM optimized compression driver with 1" exit offering excellent performance.

VANTEC-12A

SPECIFICATIONS

Performance

Frequency Range (-10 dB)	60 Hz - 20 kHz
Horizontal Coverage (-6 dB)	90°
Vertical Coverage	50°
Maximum Peak SPL at 1 m	135 dB

Electronics and Connectors

Nominal Amplifier Power (continuous)	750 W
Nominal Amplifier Power (peak)	1500 W
Input Type	Balanced
Input Impedance	20 kohms
Input Sensitivity	3 V (+12 dBu)
Audio Signal Input Connector	2 x Female XLR
AUX Input	1 x 3.5 mm Mini Jack
Audio Signal Loop Thru Connector	1 x Male XLR
Control	DASlink™ DAScontrol™
AC Input Connector	powerCon NAC3FCA
Current Draw 230 V / 115 V	1.2 A/2.4 A

VANTEC-12A

Enclosure

Enclosure Construction	Birch Plywood
Enclosure Geometry	Trapezoidal
Rigging	M10 Rigging Points
Finish	ISO-flex Paint
Color	Black
Dimensions (H x W x D)	620 x 380 x 380 mm 24,4 x 15,0 x 15,0 in
Net Weight	21,5 kg (47,4 lb)

Components

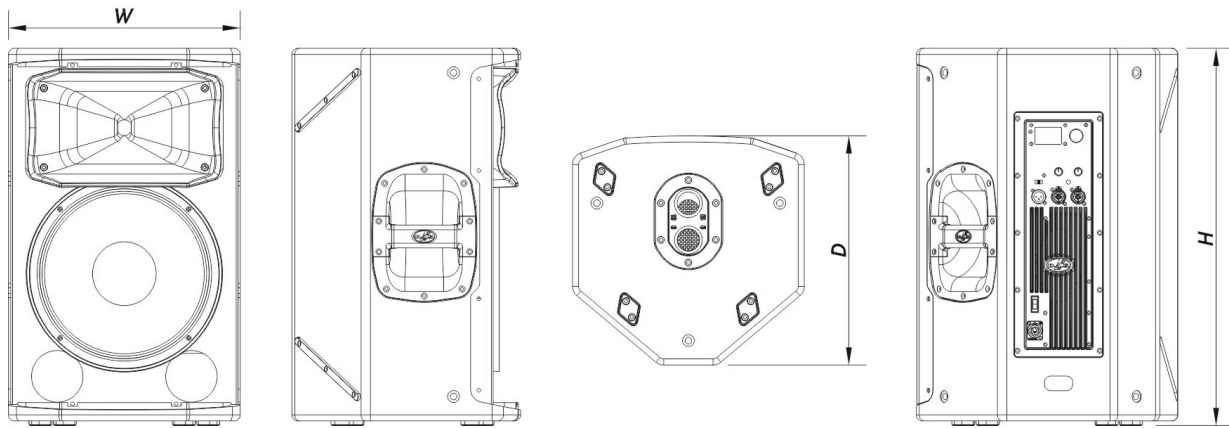
LF Driver	12F4
HF Driver	M-28
Horn/Waveguide	BC-95

Shipping

Carton Dimensions (H x W x D)	720 x 456 x 456 mm 28,4 x 18,0 x 18,0 in
Shipping Weight	24,0 kg (52,9 lb)

DIMENSIONS

VANTEC-12A



VANTEC-12A

DAS Audio Group, S.L. - C/ Islas Baleares 24 - 46988
Fuente del Jarro - Valencia - Spain - Tel. +34961340860
Updated (DD/MM/YYYY): 14/04/2026



ORDERING INFORMATION

Model	Description	P/N
System		
VANTEC-12A		10431070
Replacement Parts		
12F4	Transducer	20208830
BC-95	Horn	30006213
DSP-VANTEC-12A	Dsp	20406410
GM-12F4	Recone Kit	20208470
M-28	Compression Driver	20208800
MP-VANTEC-12A	Power Module	30006178
S-PRO2	Amplifier	20406649
Accessories		
AXF-X12	Installation & Stacking Acc.	10104831
AXU-ACT512	Installation & Stacking Acc.	10104605
TRD-2-PACK	Installation & Stacking Acc.	10104012
TRD-6	Installation & Stacking Acc.	10104470
TRD-7	Installation & Stacking Acc.	10104471
ANL-2	Rigging Accessories	10101020
FUN-VT12	Transport Accessories	10103710

VANTEC-12A

DAS Audio Group, S.L. - C/ Islas Baleares 24 - 46988
Fuente del Jarro - Valencia - Spain - Tel. +34961340860
Updated (DD/MM/YYYY): 14/04/2026

