

Altea 700



ALTEA-715A

DAS Audio Group, S.L. - C/ Islas Baleares 24 - 46988
Fuente del Jarro - Valencia - Spain - Tel. +34961340860
Updated (DD/MM/YYYY): 30/03/2026

 **DAS AUDIO**

KEY FEATURES

- Multi-purpose system with monitor position
- Ultra lightweight Class D amplifier with SMPS
- Stereo music streaming in high definition
- User definable 24-bit DSP with LCD screen
- 5 voicing presets
- User-defineable memories
- Stackable 3-band EQ
- Standby Mode
- Rigging points

DESCRIPTION

The ALTEA-715A is a high-powered model from DAS Audio's ALTEA Series. It's equipped with a 1500 W_{peak} Class D two-channel amplifier that provides extended bandwidth, wide dynamic range and exceptionally low distortion. Digital Finite Impulse Response (FIR) filters are used in the signal processing of the ALTEA-715A systems.

The DAScontrol™ interface allows users to configure voicing presets, input/output levels, EQ modes, delay and source mixing by way of a high-end 24-bit quality DSP and LCD screen on the rear of the cabinet. The remote control and monitoring APP DASlink™ of the ALTEA-700 series powered systems allows users to wirelessly stream music from mobile devices in high-definition stereo.

The high-performance transducers include the DAS 15FV4 loudspeaker, which provides accurate low frequency reproduction with a deep, powerful bass. High frequencies are handled by the brilliant M-28 FEM optimized compression driver with 1" exit providing exceptional performance and smooth reproduction.

ALTEA-715A

SPECIFICATIONS

Performance

Frequency Range (-10 dB)	45 Hz - 20 kHz
Horizontal Coverage (-6 dB)	90°
Vertical Coverage	60°
Maximum Peak SPL at 1 m	132 dB

Electronics and Connectors

Nominal Amplifier Power (continuous)	750 W
Nominal Amplifier Power (peak)	1500 W
Input Type	Balanced
Input Impedance	20 kohms
Input Sensitivity	1.95 V (+8 dBu)
Audio Signal Input Connector	2 x Female XLR
AUX Input	1 x 3.5 mm Mini Jack
Audio Signal Loop Thru Connector	1 x Male XLR
Control	DASlink™ DAScontrol™
AC Input Connector	IEC
Current Draw 230 V / 115 V	1.5 A/3.0 A

ALTEA-715A

Enclosure

Enclosure Construction	Polypropylene
Enclosure Geometry	Trapezoidal
Rigging	M8 Rigging Points
Color	Black
Dimensions (H x W x D)	710 x 440 x 380 mm 28,0 x 17,3 x 15,0 in
Net Weight	19,5 kg (43,0 lb)

Components

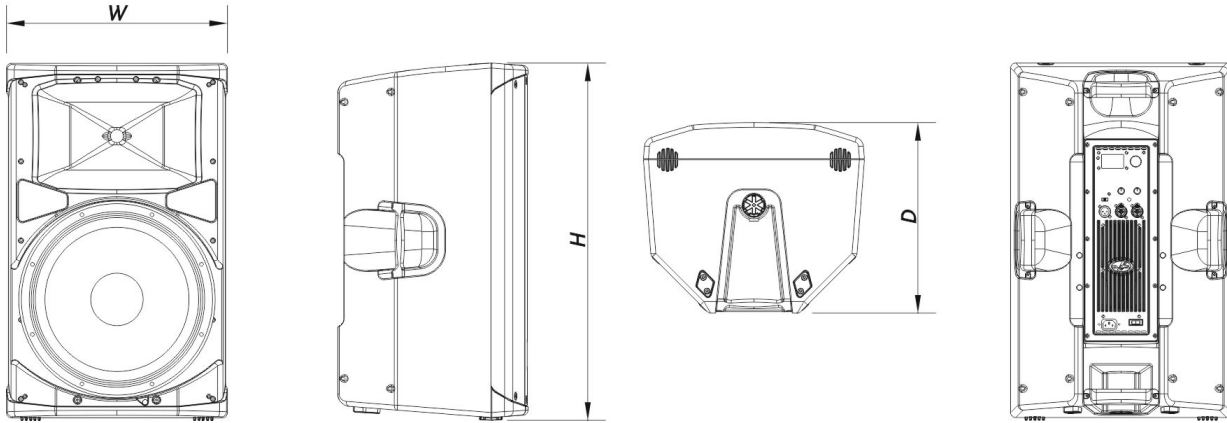
LF Driver	15FV4
HF Driver	M-28

Shipping

Carton Dimensions (H x W x D)	805 x 530 x 445 mm 31,7 x 20,9 x 17,5 in
Shipping Weight	23,0 kg (50,7 lb)

DIMENSIONS

ALTEA-715A



ALTEA-715A

DAS Audio Group, S.L. - C/ Islas Baleares 24 - 46988
Fuente del Jarro - Valencia - Spain - Tel. +34961340860
Updated (DD/MM/YYYY): 30/03/2026



ORDERING INFORMATION

Model	Description	P/N
System		
ALTEA-715A		10404810
Replacement Parts		
15FV4	Transducer	20208910
DSP-ALTEA-715A	Dsp	20406574
GM-15FV4	Recone Kit	20208510
M-28	Compression Driver	20208800
MP-ALTEA-715A	Power Module	30007070
Accessories		
ANL-1	Rigging Accessories	10101010
ANL-1	Installation & Stacking Acc.	10101010
AXW-ALT	Installation & Stacking Acc.	10102391
FUN-AL715	Transport Accessories	10103781
TRD-2-PACK	Installation & Stacking Acc.	10104012
TRD-6	Installation & Stacking Acc.	10104470
TRD-7	Installation & Stacking Acc.	10104471

ALTEA-715A

DAS Audio Group, S.L. - C/ Islas Baleares 24 - 46988
Fuente del Jarro - Valencia - Spain - Tel. +34961340860
Updated (DD/MM/YYYY): 30/03/2026

