

ACTION 500 *series*



ACTION-525A

DAS Audio Group, S.L. - C/ Islas Baleares 24 - 46988
Fuente del Jarro - Valencia - Spain - Tel. +34961340860
Updated (DD/MM/YYYY): 28/11/2024



SOUND WITH SOUL

KEY FEATURES

- Active biamp system
- Dual-channel 1000 W_{peak} Class D amplifier
- Birch plywood enclosure
- Durable ISO-flex paint
- DAScontrol™ interface for easy setup and adjustment
- DSP with presets and LCD screen

DESCRIPTION

ACTION-525A is an active system composed of two 15MI speakers that deliver a greater SPL than the simple 15" plus enhanced bass for events that require both powerful sound and simple adjustment.

As part of our company culture, all our systems are developed under a single philosophy: to deliver the highest possible quality in terms of both materials and overall system design. In the ACTION-500 series we use the same birch plywood as our touring systems for a tight, natural warm sound found nowhere else on the market. The series' full range of active tops is complete with two balanced XLR inputs for mic and line, an additional 3.5 mm mini jack input, and a powerCON connection.

The DAScontrol™ interface uses a high-range 24-bit DSP and rear LCD screen to enable the selection of presets, EQ modes, delay, gain control and signal source mix.

ACTION-525A

DAS Audio Group, S.L. - C/ Islas Baleares 24 - 46988
Fuente del Jarro - Valencia - Spain - Tel. +34961340860
Updated (DD/MM/YYYY): 28/11/2024



SOUND WITH SOUL

SPECIFICATIONS

Performance

Frequency Range (-10 dB)	45 Hz - 20 kHz
Horizontal Coverage (-6 dB)	90°
Vertical Coverage	60°
Maximum Peak SPL at 1 m	134 dB

Electronics and Connectors

Nominal Amplifier Power (continuous)	500 W
Nominal Amplifier Power (peak)	1000 W
Input Type	Balanced
Input Impedance	20 kohms
Input Sensitivity	1.95 V (+8 dBu)
Audio Signal Input Connector	2 x Female XLR
AUX Input	1 x 3.5 mm Mini Jack
Audio Signal Loop Thru Connector	1 x Male XLR
Control	DAScontrol™
Current Draw 230 V / 115 V	1.1 A / 2.2 A

Enclosure

Enclosure Construction	Birch Plywood
Enclosure Geometry	Trapezoidal
Rigging	M10 Rigging Points
Finish	ISO-flex Paint
Color	Black

ACTION-525A

DAS Audio Group, S.L. - C/ Islas Baleares 24 - 46988
Fuente del Jarro - Valencia - Spain - Tel. +34961340860
Updated (DD/MM/YYYY): 28/11/2024



SOUND WITH SOUL

Dimensions (H x W x D) 1.090 x 445 x 515 mm
42,9 x 17,5 x 20,3 in

Net Weight 39,5 kg (87,1 lb)

Components

LF Driver 15M1

HF Driver M-44

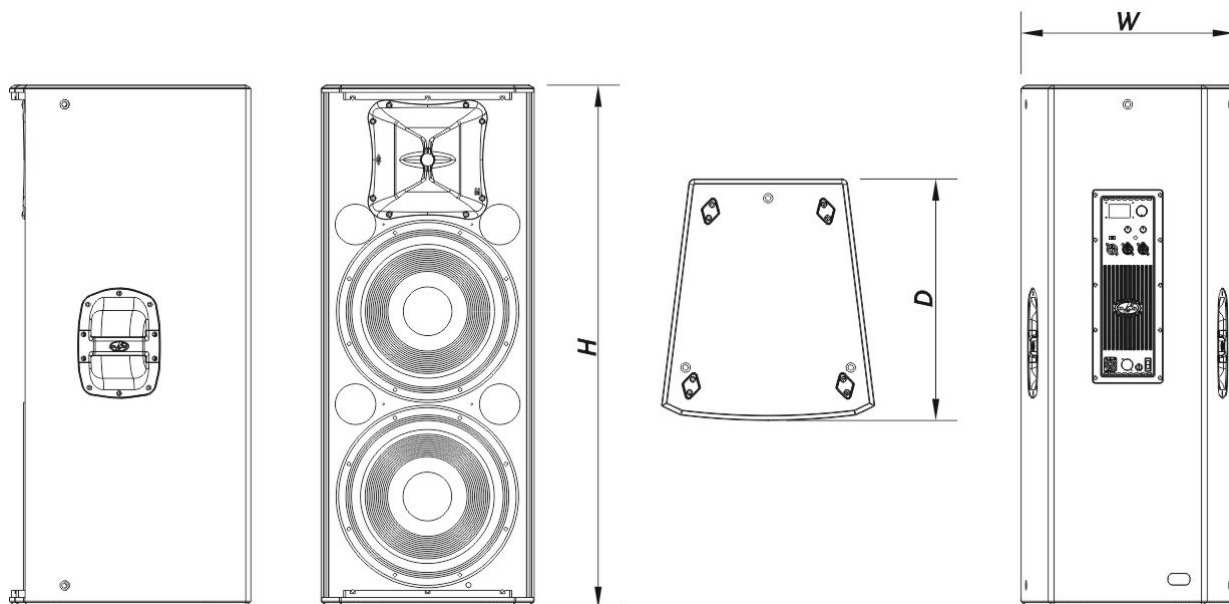
Horn/Waveguide BC-916

Shipping

Carton Dimensions (H x W x D) 1.165 x 515 x 560 mm
45,9 x 20,3 x 22,1 in

Shipping Weight 43,5 kg (95,9 lb)

DIMENSIONS



ACTION-525A

DAS Audio Group, S.L. - C/ Islas Baleares 24 - 46988
Fuente del Jarro - Valencia - Spain - Tel. +34961340860
Updated (DD/MM/YYYY): 28/11/2024



SOUND WITH SOUL

ORDERING INFORMATION

Model	Description	P/N
System		
ACTION-525A		10427253
Replacement Parts		
15MI	Cone Transducer	10214290
BC-916	Horn	30006590
DSP-ACTION-525A	Dsp	20406595
GM-15MI	Recone Kit	20208270
GM-M44	Diaphragm	20205070
M-44	Compression Driver	10207090
MP-ACT525A	Power Module	20406585
ORBIT300+100UM	Amplifier	30007231
Accessories		
ANL-2	Rigging Accessories	10101020
FUN-VT215	Transport Accessories	10103730

ACTION-525A

DAS Audio Group, S.L. - C/ Islas Baleares 24 - 46988
Fuente del Jarro - Valencia - Spain - Tel. +34961340860
Updated (DD/MM/YYYY): 28/11/2024



SOUND WITH SOUL