

ARA
S E R I E S



SARA SUB

DAS Audio Group, S.L. - C/ Islas Baleares 24 - 46988
Fuente del Jarro - Valencia - Spain - Tel. +34961340860
Updated (DD/MM/YYYY): 30/03/2023



SOUND WITH SOUL

KEY FEATURES

- Compact cardioid powered subwoofer
- 18" 18UXN front neodymium transducer with 4" VC
- 15" 15FWN rear neodymium transducer with 3" VC
- 4-channel, 3000 Wrms Class D amplifier
- SARA rigging bumper-compatible flying hardware

APPLICATIONS

- Outdoor festivals and live concerts
- Theatres, auditoria and performing arts centres
- Medium size live events
- Rental services
- Worship centres

DESCRIPTION

SARA-SUB is a high-fidelity subwoofer that offers an accurate and powerful bass response thanks to its cardioid design. The system incorporates a DAS 18UXN neodymium loudspeaker with a 4" voice coil for excellent low-frequency reproduction. In addition, a rear 15FWN neodymium 3" voice coil speaker creates the necessary cardioid dispersion pattern to compensate for unwanted energy in the rear.

The SARA-SUB's built-in class D amplifier has 4 channels in bridge mode for each of the speakers. The switch-mode power supply has a correction factor, allowing for greater efficiency and reliability under all operating conditions. The built-in DSP optimizes the signal parameters for the loudspeakers and allows for 14 dB of rear power compensation in the 40 Hz - 80 Hz range.

The enclosure design meets the strict DAS standards for the use of high-quality materials, such as birch plywood and ISO-flex™ exterior protection. In addition, the rigging system allows the SARA to be flown underneath the SARA-SUB, using the JP-SARA. The metal grids incorporate acoustically transparent, moisture-repellent fabric. Recessed handles on the sides of the enclosure facilitate transport and handling.

SARA SUB



SPECIFICATIONS

Performance

Frequency Range (-10 dB)	35 Hz - 125 Hz
Maximum Peak SPL at 1 m	134 dB

Electronics and Connectors

Nominal Amplifier Power (continuous)	3000 W
Nominal Amplifier Power (peak)	6000 W
Input Type	Balanced Analog
Input Impedance	20 kohms
Input Sensitivity	6.2 V (+18 dBu)
Audio Signal Input Connector	1 x Female XLR
Audio Signal Loop Thru Connector	1 x Male XLR
Audio/Data Input Connector	etherCON
Control	ALMA
Audio + Data Loop Thru Connector	etherCON
AC Output Connector	powerCON TRUE1
Current Draw 230 V / 115 V	4 A / 8 A

Enclosure

Enclosure Construction	Birch Plywood
Enclosure Geometry	Rectangular
Rigging	Captive Rigging System
Finish	ISO-flex Paint
Color	Black

SARA SUB

DAS Audio Group, S.L. - C/ Islas Baleares 24 - 46988
Fuente del Jarro - Valencia - Spain - Tel. +34961340860
Updated (DD/MM/YYYY): 30/03/2023

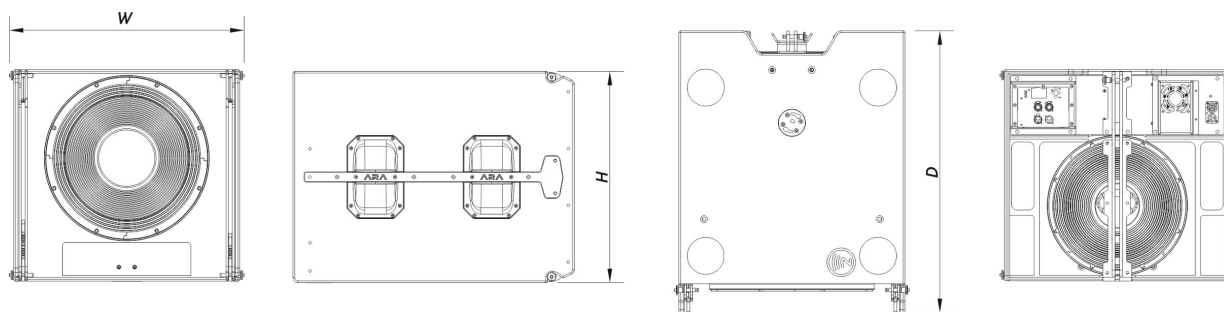


IP Rating	IP43
Dimensions (H x W x D)	590 x 660 x 790 mm 23,5 x 26,0 x 31,2 in
Net Weight	67,0 kg (148,0 lb)

Components

LF Driver	18UXN
LF Cardioid Driver	15FWN

DIMENSIONS



ORDERING INFORMATION

Model	Description	P/N
System		
SARA-SUB		10420520
Replacement Parts		
15FWN	Cone Transducer	20208998
18UXN	Transducer	20208920

SARA SUB

DAS Audio Group, S.L. - C/ Islas Baleares 24 - 46988
 Fuente del Jarro - Valencia - Spain - Tel. +34961340860
 Updated (DD/MM/YYYY): 30/03/2023



GM-18UXN	Recone Kit	20208530
----------	------------	----------

Accessories

AX-SARA	Rigging Accessories	10106101
---------	---------------------	----------

FUN-2-SARA-SUB	Transport Accessories	10103793
----------------	-----------------------	----------

JP-SARA	Rigging Accessories	10102958
---------	---------------------	----------

PL-SARA-SUB	Transport Accessories	10113340
-------------	-----------------------	----------

SARA SUB

DAS Audio Group, S.L. - C/ Islas Baleares 24 - 46988
Fuente del Jarro - Valencia - Spain - Tel. +34961340860
Updated (DD/MM/YYYY): 30/03/2023



SOUND WITH SOUL