

Altea 700



ALTEA-712A

DAS Audio Group, S.L. - C/ Islas Baleares 24 - 46988
Fuente del Jarro - Valencia - Spain - Tel. +34961340860
Updated (DD/MM/YYYY): 30/03/2026

 **DAS AUDIO**

KEY FEATURES

- Multi-purpose system with monitor position
- Ultra lightweight Class D amplifier with SMPS
- Stereo music streaming in high definition
- User definable 24-bit DSP with LCD screen
- 5 voicing presets
- User-defineable memories
- Stackable 3-band EQ
- Standby Mode
- Rigging points

DESCRIPTION

The ALTEA-712A is a high-powered model from DAS Audio's ALTEA Series. It is equipped with a 1500 W_{peak} Class D two-channel amplifier that provides extended bandwidth, wide dynamic range and exceptionally low distortion. Digital Finite Impulse Response (FIR) filters are used in the signal processing of the ALTEA 712A system.

The DAScontrol™ interface allows users to configure voicing presets, input/output levels, EQ modes, delay and source mixing by way of a high-end 24-bit quality DSP and LCD screen on the rear of the cabinet. The remote control and monitoring APP DASlink™ of the ALTEA-700 series powered systems allows users to wirelessly stream music from mobile devices in high-definition stereo.

The high-performance transducers include the DAS 12F4 loudspeaker, which provides accurate low frequency reproduction with a deep, powerful bass. High frequencies are handled by the brilliant M-28 FEM optimized compression driver with 1" exit providing exceptional performance and smooth reproduction.

ALTEA-712A

SPECIFICATIONS

Performance

Frequency Range (-10 dB)	60 Hz - 20 kHz
Horizontal Coverage (-6 dB)	90°
Vertical Coverage	60°
Maximum Peak SPL at 1 m	130 dB

Electronics and Connectors

Nominal Amplifier Power (continuous)	750 W
Nominal Amplifier Power (peak)	1500 W
Input Type	Balanced
Input Impedance	20 kohms
Input Sensitivity	1.95 V (+8 dBu)
Audio Signal Input Connector	2 x Female XLR
AUX Input	1 x 3.5 mm Mini Jack
Audio Signal Loop Thru Connector	1 x Male XLR
Control	DASlink™ DAScontrol™
AC Input Connector	IEC
Current Draw 230 V / 115 V	1.5 A/3.0 A

ALTEA-712A

Enclosure

Enclosure Construction	Polypropylene
Enclosure Geometry	Trapezoidal
Rigging	M8 Rigging Points
Color	Black
Dimensions (H x W x D)	655 x 380 x 350 mm 25,8 x 15,0 x 13,8 in
Net Weight	17,5 kg (38,6 lb)

Components

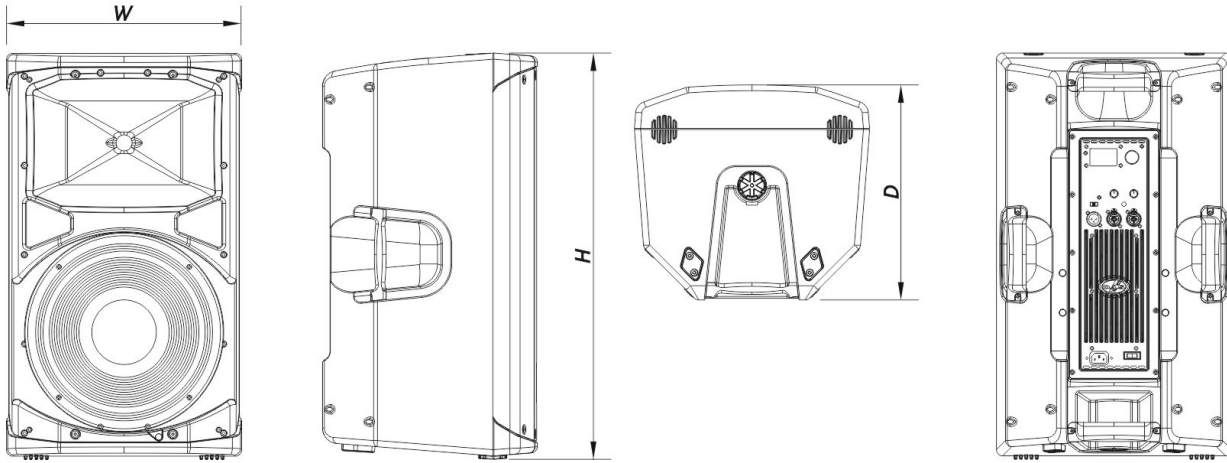
LF Driver	12F4
HF Driver	M-28

Shipping

Carton Dimensions (H x W x D)	740 x 450 x 415 mm 29,1 x 17,7 x 16,3 in
Shipping Weight	20,5 kg (45,2 lb)

DIMENSIONS

ALTEA-712A



ALTEA-712A

DAS Audio Group, S.L. - C/ Islas Baleares 24 - 46988
Fuente del Jarro - Valencia - Spain - Tel. +34961340860
Updated (DD/MM/YYYY): 30/03/2026



ORDERING INFORMATION

Model	Description	P/N
System		
ALTEA-712A		10404880
Replacement Parts		
12F4	Transducer	20208830
DSP-ALTEA-712A	Dsp	20406575
GM-12F4	Recone Kit	20208470
M-28	Compression Driver	20208800
MP-ALTEA-712A	Power Module	30006681
Accessories		
ANL-1	Installation & Stacking Acc.	10101010
AXF-X12	Installation & Stacking Acc.	10104831
AXW-ALT	Installation & Stacking Acc.	10102391
TRD-2-PACK	Installation & Stacking Acc.	10104012
TRD-6	Installation & Stacking Acc.	10104470
TRD-7	Installation & Stacking Acc.	10104471
ANL-1	Rigging Accessories	10101010
FUN-AL712	Transport Accessories	10103780

ALTEA-712A

DAS Audio Group, S.L. - C/ Islas Baleares 24 - 46988
Fuente del Jarro - Valencia - Spain - Tel. +34961340860
Updated (DD/MM/YYYY): 30/03/2026

