

avant 118A

Self-powered subwoofer system



- » **Direct radiator subwoofer**
- » **18" low frequency speaker**
- » **1250 W class D power amplifier**
- » **LP variable cross-over**
- » **Selectable polarity switch**
- » **Stereo input**
- » **Deep/Loud EQ switch**

The D.A.S. Avant 118A is a self-powered bass-reflex subwoofer system for use in active systems where bass reinforcement is required.

The unit utilizes a 18LX long-excursion 18" low frequency speakers with 4" voice coil. Improved voice coil materials, magnet circuit and surround design provide high power handling, low power compression and low distortion.

Configured with an Avant 12A or Avant 15A the result is a transportable, high performance sub-satellite system. A polarity reverse switch enables system alignment.

The amplifier input panel offers stereo inputs. A user

selectable crossover ensures a smooth transition to systems connected to the stereo outputs.

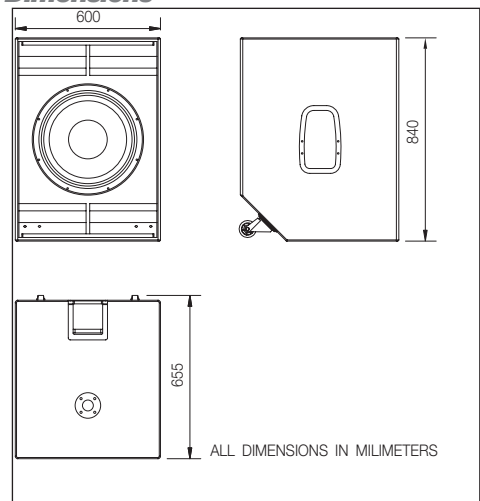
Signal present and limiter leds indicate the system status and assist in setting the optimum level, via the level control knob.

The top panel contains a threaded pole mount socket for use with 35 mm metal posts for mounting fullrange D.A.S. systems above the Avant 118A sub-woofer unit.

Technical Specifications

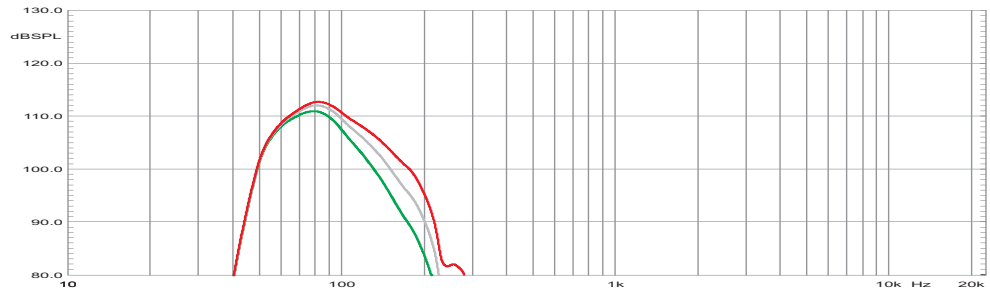
Power Amplifier¹	2500 W _{peak} - 1250 W _{continuous}
Input Type	Balanced Differential Line
Input Impedance	Line: 20 kohms
Sensitivity²	Line: 1.95 V (+8 dBu)
On-axis Frequency Range (-10 dB)	Loud: 50 Hz - 142 Hz Deep: 45 Hz - 138 Hz
Maximum Peak SPL at 1 meter³	136 dB
Enclosure Material	Birch Plywood
Finish	Black Paint
Transducers/Replacement Parts	18LX / GM 18LX
Connectors	INPUT: 2 x Female XLR LOOP THRU: 2 x Male XLR AC INPUT: PowerCon NAC 3 FCA AC OUTPUT: PowerCon NAC 3 DFCB
AC Power Requirements	115 V, 3.6 A, 50 Hz/60 Hz 230 V, 1.8 A, 50 Hz/60 Hz
Dimensions (H x W x D)	84 x 60 x 65.5 cm (33 x 23.6 x 25.8 in)
Weight	55 kg (121 lb)
Accessories (optional)	TRD-6

Dimensions

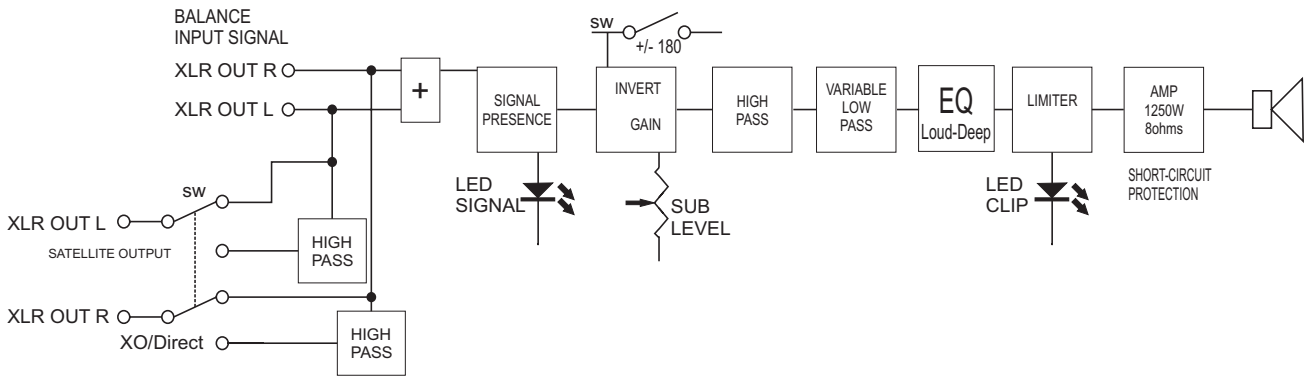
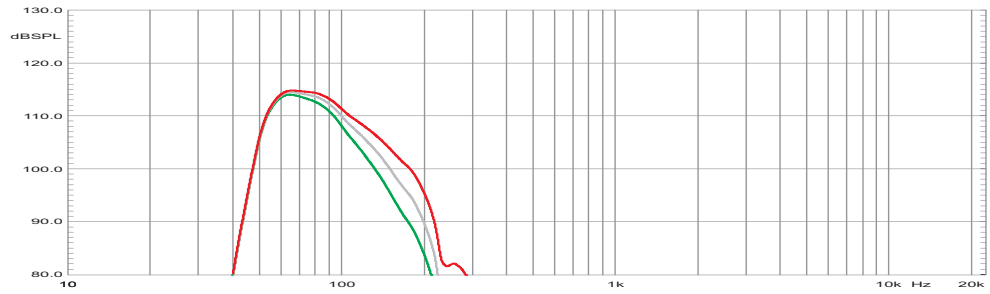


1. Continuous power at driver impedance.
2. Level control at maximum.
3. Measured maximum peak level.

Frequency Response (Loud EQ)
Shows the frequency response at 1 m of a unit radiating to an anechoic environment and driven by a swept sine wave signal (-20 dBu input). Red: LPF 160 Hz. Grey: LPF 125 Hz. Green: LPF 100 Hz.



Frequency Response (Deep EQ)
Shows the frequency response at 1 m of a unit radiating to an anechoic environment and driven by a swept sine wave signal (-20 dBu input). Red: LPF 160 Hz. Grey: LPF 125 Hz. Green: LPF 100 Hz.



NOTES. 1.Frequency response: referred to 1 m; low end obtained through the use of near field techniques; one-third octave smoothed for correlation with human hearing.

Product improvement through research and development is a continuous process at D.A.S. Audio. All specifications subject to change without notice.



D.A.S. Audio S.A.
C/ Iles Balears, 24
46988 Fuente del Jarro
Valencia - SPAIN
Tel. 961 340 525 - Tel. Intl. +34 961 340 860
Fax 961 340 607 - Fax Intl. +34 961 340 607

D.A.S. Audio of America Inc.
Sunset Palmetto Park - 6816 NW 77th Court
Miami, FL 33166 U.S.A.
Tel. 305 436 0521 - Fax. 305 436 0528
Toll Free: 1 888 DAS 4 USA

D.A.S. Audio Asia Pte. Ltd.
25 Kaki Bukit Crescent # 01-00/ 02-00
Kaki Bukit Technopark I - Singapore 416256
Co. Reg. No. 200704134E
Tel. +65 6742 0151 - Fax. +65 6742 0157

www.dasaudio.com